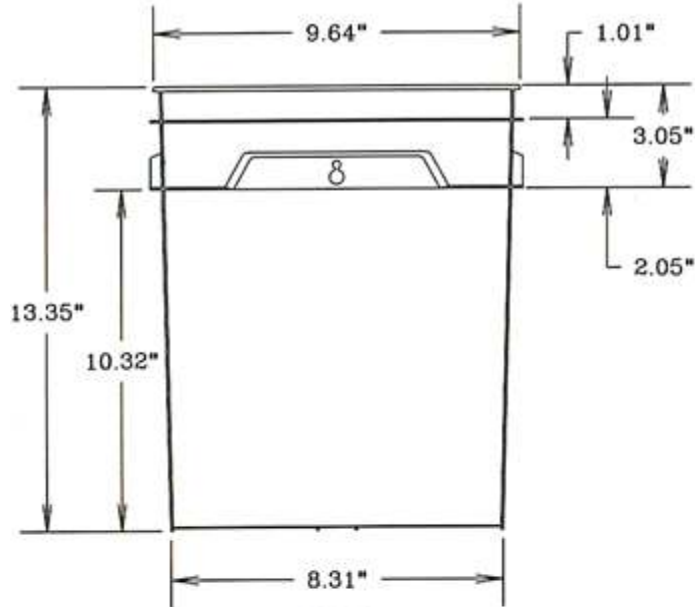
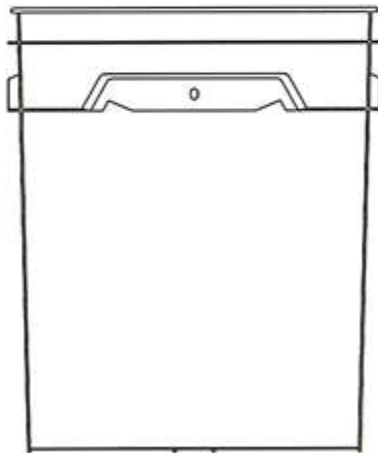


API PRODUCTS

4 Gallon Square Pail



SIDE A



SIDE B

Pail Specifications:	Material: HDPE
Length	9.10"
Width	8.14"
Height	13.33"
Wall Thickness	0.070 mil
Weight	1.35 lbs

Packaging Specifications	
Quantity Per Pallet	480 Each
Gross Weight	650 Pounds
Length	50"
Width	40"
Height	94"

- Available with plastic handle
- Materials - Prime HDPE, FDA Approved
- Standard Colors- White and Natural
- All measurements are approximate

2131 S. Garfield Avenue , City of Commerce, CA 90040
PHONE (323) 888-1077 FAX (323)888-6187