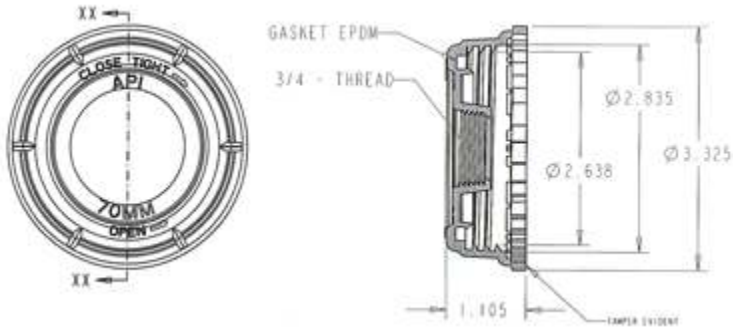




Blow Molded Container Caps



Cap Specifications

70mm Tamper Evident Threaded Closure with 3/4" Knockout

Material	HDPE
Gasket	EPDM
	PVC
	ALCRYN